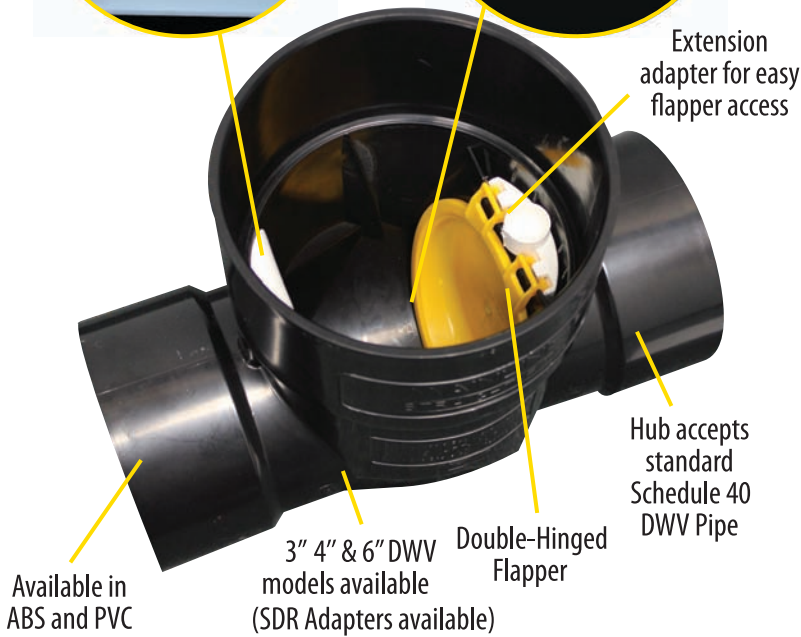


MAINLINE

Provides easy access to
your backwater valve
without installing costly
concrete vaults



- Straight-Fit™ minimal drop allows valve to be installed in any system, new or retrofit
- Double-hinged flapper design stays aligned and reduces flow restrictions
- Valve extended using standard Schedule 40 Pipe
- Smart-Curve™ technology reduces risk of damage when snaking lines
- Gasketed flapper design

EXTENDABLE

MAINLINE

STRAIGHT-FIT™

Backwater Valves



Plumbing code requires that Backwater Valves are accessible for maintenance and servicing in most jurisdictions. The traditional method for in-ground installations is costly and time-consuming, requiring a large concrete pit with an access lid to be built. The Mainline Straight-Fit™ simplifies in-ground installations with an innovative removable extended flapper system, allowing for easy ground level access at any depth.

The Straight-Fit™ Backwater Valve features a patent pending flapper, designed to smoothly guide cleaning and surveying equipment through the BWV, also allowing for safe withdrawal of the same, minimizing risk of damage to the flapper. The addition of a Smart-Curve™ snake guide also prevents damage to the valve body enabling snaking from the main access.

The Straight-Fit™ Valve body design has minimal slope, making it ideal for new installations and retrofits.

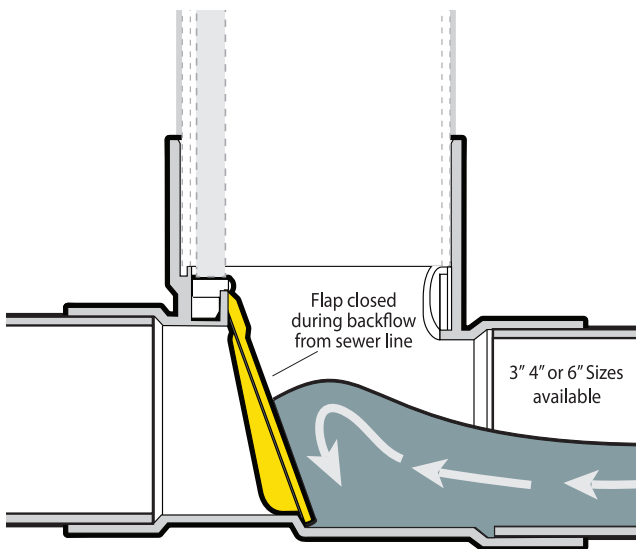
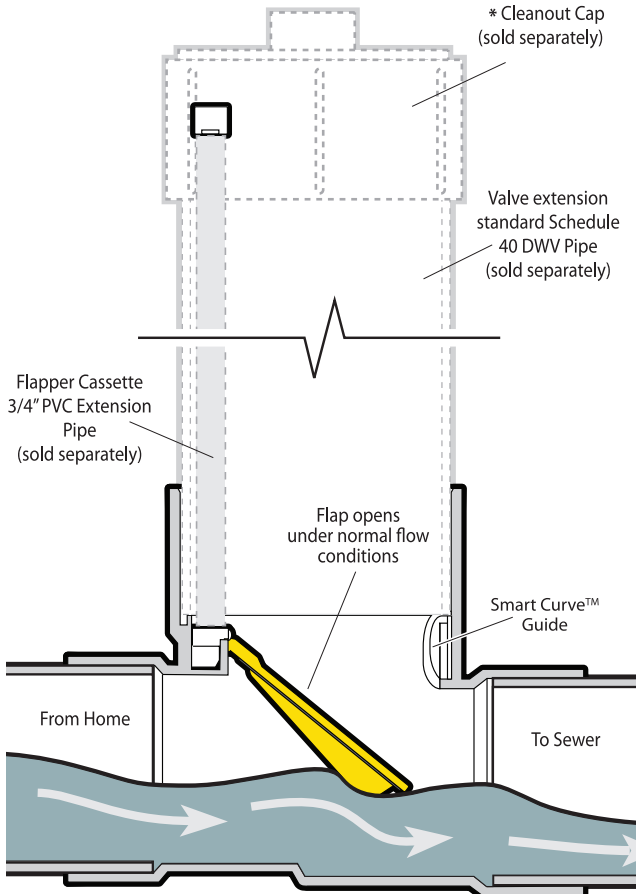
Optional gate for
pressure testing or
isolation of system



MAINLINE

BACKFLOW PRODUCTS

TYPICAL INSTALLATIONS



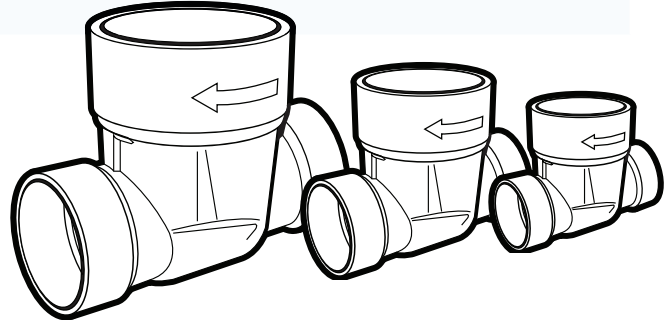
Minimal drop allows Straight Fit™ to be installed in "New" and "Retrofit Systems"

EXTENDABLE

MAINLINE

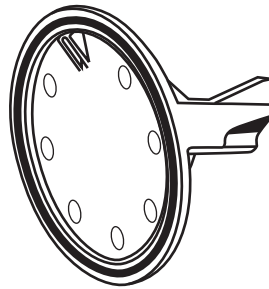
STRAIGHT-FIT™

Backwater Valves



STRAIGHT-FIT- Extendable Backwater Valve

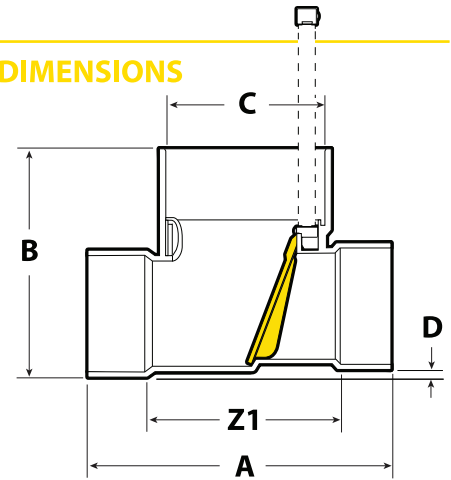
Part #	Material	Size
ML-SF334A	ABS	3"
ML-SF334P	PVC	3"
ML-SF446A	ABS	4"
ML-SF446P	PVC	4"
ML-SF668A	ABS	6"
ML-SF668P	PVC	6"



Optional Straight-Fit-Test/Shut-Off Gate

Part #	Size
ML-SF3TG	3"
ML-SF4TG	4"
ML-SF6TG	6"

DIMENSIONS



A	B	C	D	Z1
3" Size Models				
9	6-3/8"	4" DWV	1/4"	5"
4" Size Models				
11-1/2"	9-1/2"	6" DWV	1/4"	7-3/4"
6" Size Models				
16-1/2"	13"	8" DWV	1/2"	10-1/4"

* Contact us for SDR Adapters, Sewer Caps and Cleanout Accessories

MAINLINE
BACKFLOW PRODUCTS INC

www.backwatervalve.com

Toll-free 1-877-734-8691